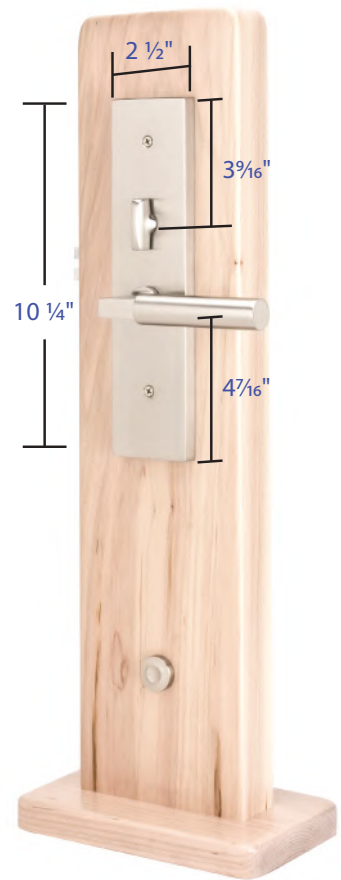


**Mormont**  
 Trim Style  
 Part # UL 3347



**Lugano**  
 Trim Style  
 Part # UL 3348



Standard interior trim  
 Part # UL 3347 & 3348

**Additional Dimensions:** (Part# UL 3347 & 3348)

- Exterior Projection is 2 1/2"
- Interior Projection Depends on Handle Style
- Overall Grip thickness: 1"
- Clearance between door & grip is 1 1/2" - 1 7/8"
- Plates thickness: 1/2"

**Same dimensions for dummy function**



**Door Thickness Specifications**

**Standard Door Thickness: 1 3/4"**

- Standard Components:
- 1 3/8" Threaded Cylinder
  - 2" Long Spindle
  - 2" Top Rosette Screw
  - 1 1/2" Bottom Rosette Screw
  - Thumbpress
  - Strikeplate

**Extended Door Thickness: 1 7/8" - 2 1/4"**

- Extended Components:
- 1 1/2" Threaded Cylinder
  - 2" Long Spindle
  - 2 1/2" Top Rosette Screw
  - 2" Bottom Rosette Screw
  - Thumbpress
  - Strikeplate

**Extended Door Thickness: 2 3/8" - 2 3/4"**

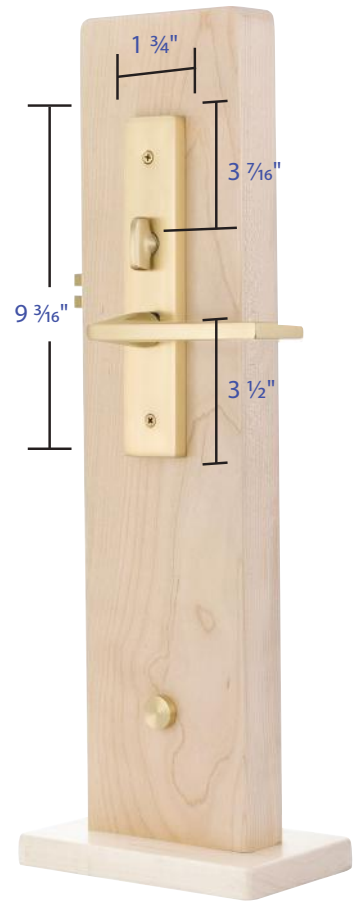
- Extended Components:
- 1 3/4" Threaded Cylinder
  - 2 1/4" Long Spindle
  - 2 1/2" Top Rosette Screw
  - 2" Bottom Rosette Screw
  - Extended Thumbpress
  - Extended Strikeplate



**Brisbane**  
 Trim Style  
 Part # UL 3311



**Adelaide**  
 Trim Style  
 Part # UL 3312



Standard interior trim  
 Part # UL 3311 & 3312

**Additional Dimensions:** (Part# UL 3311 & 3312)

- Exterior Projection is 2 1/2"
- Interior Projection Depends on Handle Style
- Overall Grip thickness: 1"
- Clearance between door & grip is 1 1/2" - 1 7/8"
- Plates thickness: 1/2"

**Same dimensions for dummy function**



**Door Thickness Specifications**

**Standard Door Thickness: 1 3/4"**

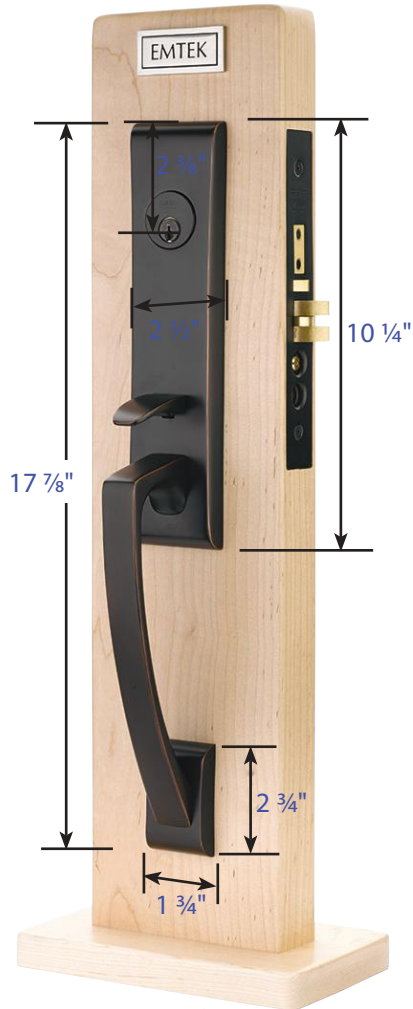
- Standard Components:
- 1 3/8" Threaded Cylinder
  - 2" Long Spindle
  - 2" Top Rosette Screw
  - 1 1/2" Bottom Rosette Screw
  - Thumbpress
  - Strikeplate

**Extended Door Thickness: 1 7/8" - 2 1/4"**

- Extended Components:
- 1 1/2" Threaded Cylinder
  - 2" Long Spindle
  - 2 1/2" Top Rosette Screw
  - 2" Bottom Rosette Screw
  - Thumbpress
  - Strikeplate

**Extended Door Thickness: 2 3/8" - 2 3/4"**

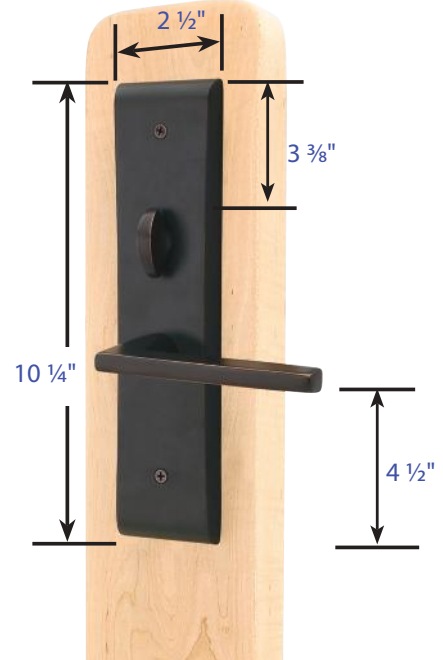
- Extended Components:
- 1 3/4" Threaded Cylinder
  - 2 1/4" Long Spindle
  - 2 1/2" Top Rosette Screw
  - 2" Bottom Rosette Screw
  - Extended Thumbpress
  - Extended Strikeplate



**Artemis**  
Trim Style  
Part # UL 3344



**Hera**  
Trim Style  
Part # UL 3345



Standard interior trim  
Part # UL 3344 & 3345

**Additional Dimensions: (Part# UL 3344 & 3345)**

- Exterior Projection is 2 3/4"
- Interior Projection Depends on Handle Style
- Overall Grip thickness: 1"
- Clearance between door & grip is 2 1/4"
- Plates thickness: 1/2"

**Same dimensions for dummy function**



**Door Thickness Specifications**

**Standard Door Thickness: 1 3/4"**

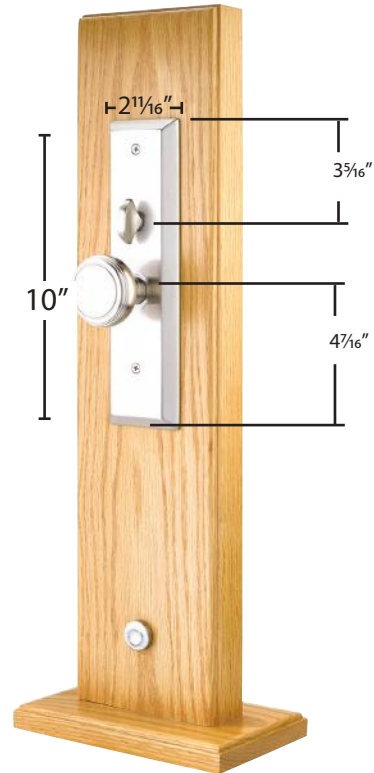
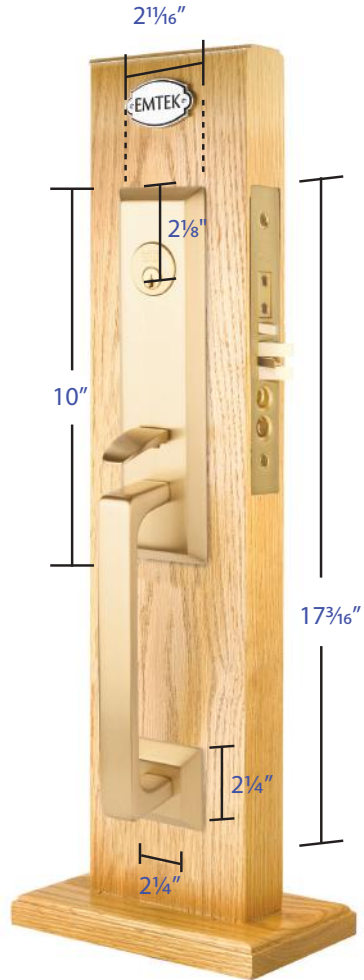
- Standard Components:
- 1 3/8" Threaded Cylinder
  - 2" Long Spindle
  - 2" Top Rosette Screw
  - 1 1/2" Bottom Rosette Screw
  - Thumbpress
  - Strikeplate

**Extended Door Thickness: 1 7/8" - 2 1/4"**

- Extended Components:
- 1 1/2" Threaded Cylinder
  - 2" Long Spindle
  - 2 1/2" Top Rosette Screw
  - 2" Bottom Rosette Screw
  - Thumbpress
  - Strikeplate

**Extended Door Thickness: 2 3/8" - 2 3/4"**

- Extended Components:
- 1 3/4" Threaded Cylinder
  - 2 1/4" Long Spindle
  - 2 1/2" Top Rosette Screw
  - 2" Bottom Rosette Screw
  - Extended Thumbpress
  - Extended Strikeplate



Standard interior trim  
Part # UL 3339

**Transitional Heritage**

Trim Style  
Part # UL 3339

**Additional Dimensions:** (Part# UL 3339)

- Exterior Projection is 2 1/2"
- Interior Projection Depends on Handle Style
- Overall Grip thickness: 1"
- Clearance between door & grip is 1 1/2" - 1 7/8"
- Plates thickness: 1/2"

**Same dimensions for dummy function**



**Door Thickness Specifications**

**Standard Door Thickness: 1 3/4"**

- Standard Components:
- 1 3/8" Threaded Cylinder
  - 2" Long Spindle
  - 2" Top Rosette Screw
  - 1 1/2" Bottom Rosette Screw
  - Thumbpress
  - Strikeplate

**Extended Door Thickness: 1 7/8" - 2 1/4"**

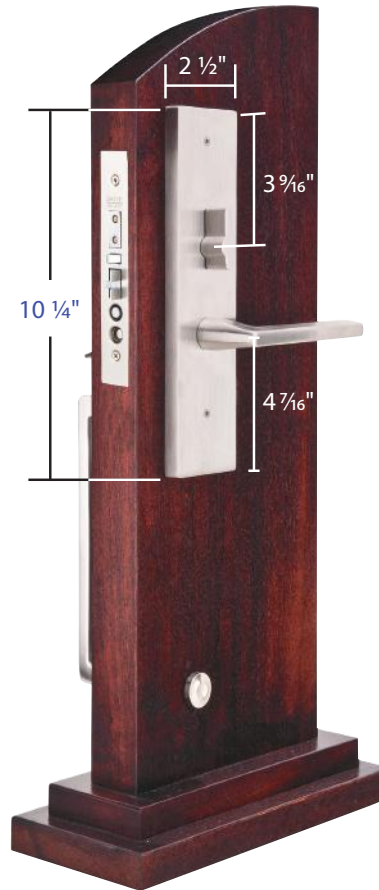
- Extended Components:
- 1 1/2" Threaded Cylinder
  - 2" Long Spindle
  - 2 1/2" Top Rosette Screw
  - 2" Bottom Rosette Screw
  - Thumbpress
  - Strikeplate

**Extended Door Thickness: 2 3/8" - 2 3/4"**

- Extended Components:
- 1 3/4" Threaded Cylinder
  - 2 1/4" Long Spindle
  - 2 1/2" Top Rosette Screw
  - 2" Bottom Rosette Screw
  - Extended Thumbpress
  - Extended Strikeplate



**Mormont Stainless Steel**  
Trim Style  
Part # UL S3301



Standard interior trim  
Part # UL S3301

**Additional Dimensions:** (Part# UL S3301)

- Exterior Projection is 2 3/4"
- Interior Projection Depends on Handle Style
- Overall Grip thickness: 1"
- Clearance between door & grip is 1" - 1 3/4"
- Plates thickness: 1/2"

***Same dimensions for dummy function***



**Door Thickness Specifications**

**Standard Door Thickness: 1 3/4"**

- Standard Components:
- 1 3/8" Threaded Cylinder
  - 2" Long Spindle
  - 2" Top Rosette Screw
  - 1 1/2" Bottom Rosette Screw
  - Thumbpress
  - Strikeplate

**Extended Door Thickness: 1 7/8" - 2 1/4"**

- Extended Components:
- 1 1/2" Threaded Cylinder
  - 2" Long Spindle
  - 2 1/2" Top Rosette Screw
  - 2" Bottom Rosette Screw
  - Thumbpress
  - Strikeplate

**Extended Door Thickness: 2 3/8" - 2 3/4"**

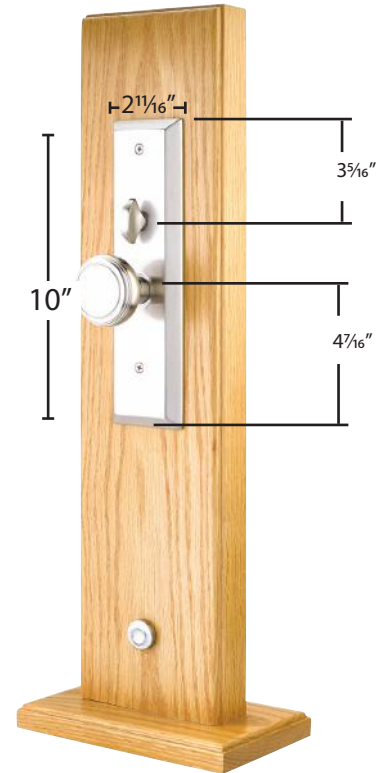
- Extended Components:
- 1 3/4" Threaded Cylinder
  - 2 1/4" Long Spindle
  - 2 1/2" Top Rosette Screw
  - 2" Bottom Rosette Screw
  - Extended Thumbpress
  - Extended Strikeplate



**Harrison**  
 Trim Style  
 Part # UL 3351



**Middleton**  
 Trim Style  
 Part # UL 3352



Standard interior trim  
 Part # UL 3351 & 3352

**Additional Dimensions:** (Part # UL 3351 & 3352)

- Exterior Projection is 2 3/4"
- Interior Projection Depends on Handle Style
- Overall Grip thickness: 1 1/4"
- Clearance between door & grip is 2"
- Plates thickness: 1/2"

**Same dimensions for dummy function**



**Door Thickness Specifications**

**Standard Door Thickness: 1 3/4"**

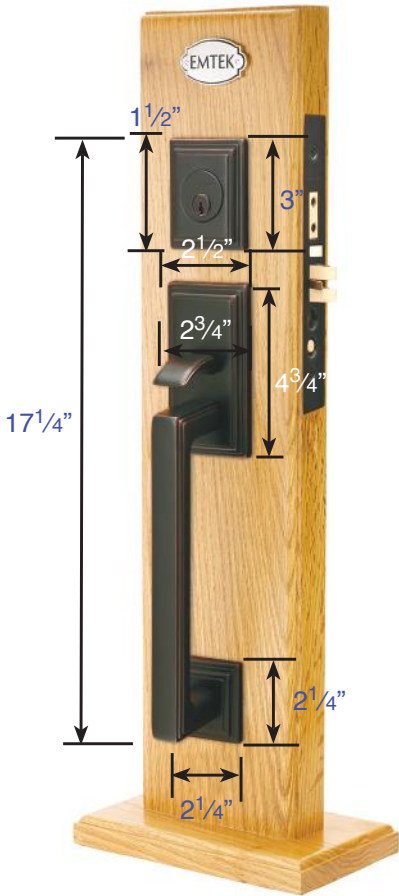
- Standard Components:
- 1 3/8" Threaded Cylinder
  - 2" Long Spindle
  - 2" Top Rosette Screw
  - 1 1/2" Bottom Rosette Screw
  - Thumbpress
  - Strikeplate

**Extended Door Thickness: 1 7/8" - 2 1/4"**

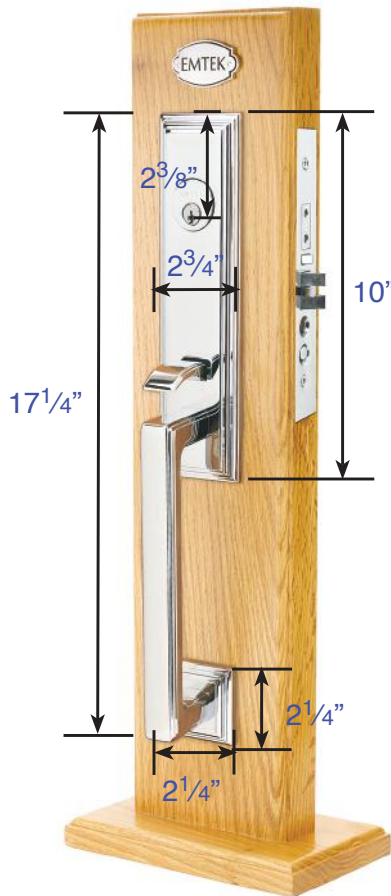
- Extended Components:
- 1 1/2" Threaded Cylinder
  - 2" Long Spindle
  - 2 1/2" Top Rosette Screw
  - 2" Bottom Rosette Screw
  - Thumbpress
  - Strikeplate

**Extended Door Thickness: 2 3/8" - 2 3/4"**

- Extended Components:
- 1 3/4" Threaded Cylinder
  - 2 1/4" Long Spindle
  - 2 1/2" Top Rosette Screw
  - 2" Bottom Rosette Screw
  - Extended Thumbpress
  - Extended Strikeplate



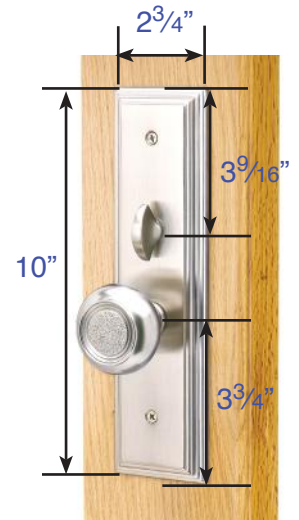
**Mills**  
Trim  
Part # UL 3310  
**DISCONTINUED**



**Manhattan**  
Trim Style  
Part # UL 3306



**Melrose**  
Trim Style  
Part # UL 3305



Standard interior trim  
Part # UL 3310, 3306 & 3305

**Additional Dimensions:** (Part # UL 3310, 3306 & 3305)

- Exterior Projection is 2 5/8"
- Interior Projection Depends on Handle Style
- Overall Grip thickness: 1"
- Clearance between door & grip is 1 3/8"
- Plates thickness: 1/2"

**Same dimensions for dummy function**



**Door Thickness Specifications**

**Standard Door Thickness: 1 3/4"**

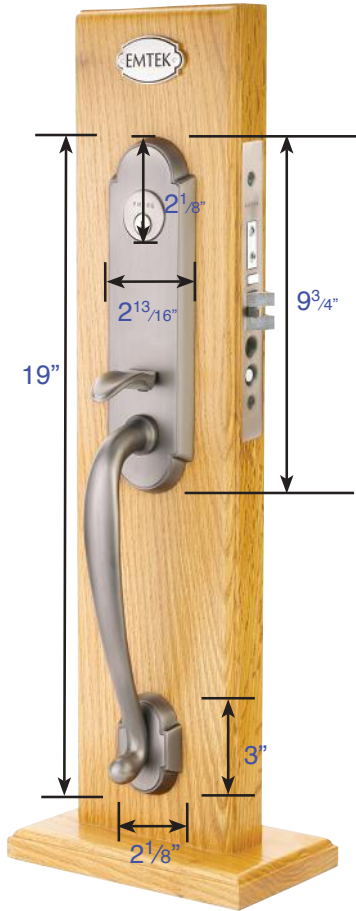
- Standard Components:
- 1 3/8" Threaded Cylinder
  - 2" Long Spindle
  - 2" Top Rosette Screw
  - 1 1/2" Bottom Rosette Screw
  - Thumbpress
  - Strikeplate

**Extended Door Thickness: 1 7/8" - 2 1/4"**

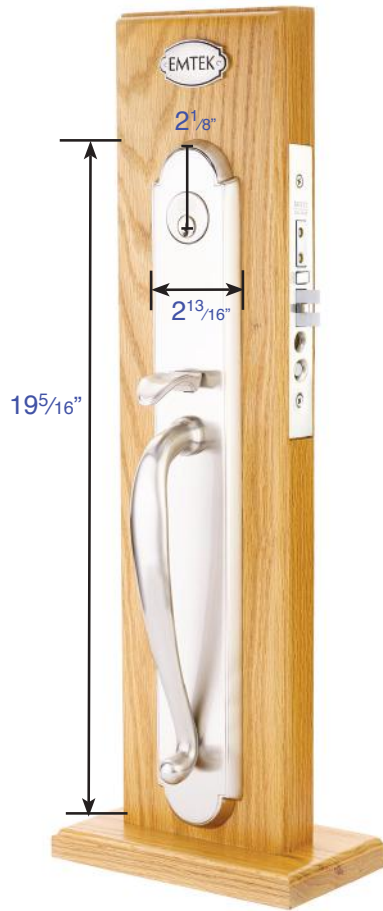
- Extended Components:
- 1 1/2" Threaded Cylinder
  - 2" Long Spindle
  - 2 1/2" Top Rosette Screw
  - 2" Bottom Rosette Screw
  - Thumbpress
  - Strikeplate

**Extended Door Thickness: 2 3/8" - 2 3/4"**

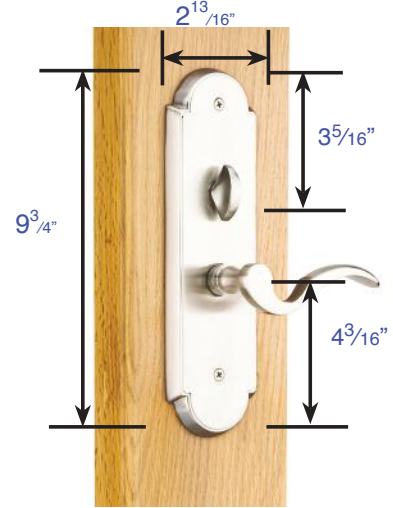
- Extended Components:
- 1 3/4" Threaded Cylinder
  - 2 1/4" Long Spindle
  - 2 1/2" Top Rosette Screw
  - 2" Bottom Rosette Screw
  - Extended Thumbpress
  - Extended Strikeplate



**Charleston**  
 Trim Style  
 Part # UL 3343



**Albany**  
 Trim Style  
 Part # UL 3350



Standard interior trim  
 Part # UL 3343 & 3350

**Additional Dimensions:** (Part# UL 3343 & 3350)

- Exterior Projection is 2 3/4"
- Interior Projection Depends on Handle Style
- Overall Grip thickness: 1 1/4"
- Clearance between door & grip is 2"
- Plates thickness: 1/2"

**Same dimensions for dummy function**



**Door Thickness Specifications**

**Standard Door Thickness: 1 3/4"**

- Standard Components:
- 1 3/8" Threaded Cylinder
  - 2" Long Spindle
  - 2" Top Rosette Screw
  - 1 1/2" Bottom Rosette Screw
  - Thumbpress
  - Strikeplate

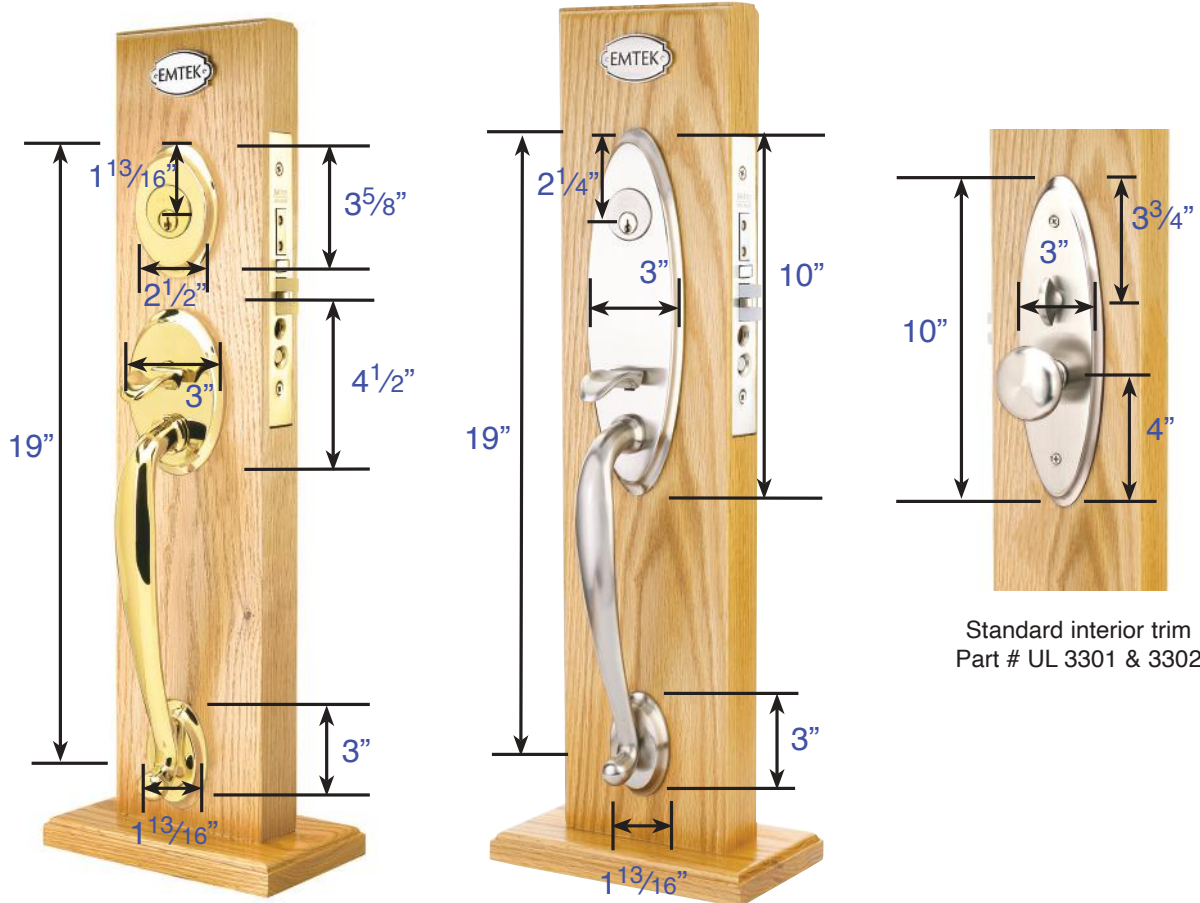
**Extended Door Thickness: 1 7/8" - 2 1/4"**

- Extended Components:
- 1 1/2" Threaded Cylinder
  - 2" Long Spindle
  - 2 1/2" Top Rosette Screw
  - 2" Bottom Rosette Screw
  - Thumbpress
  - Strikeplate

**Extended Door Thickness: 2 3/8" - 2 3/4"**

- Extended Components:
- 1 3/4" Threaded Cylinder
  - 2 1/4" Long Spindle
  - 2 1/2" Top Rosette Screw
  - 2" Bottom Rosette Screw
  - Extended Thumbpress
  - Extended Strikeplate





**Salem**  
Trim Style  
Part # UL 3301  
**DISCONTINUED**

**Memphis**  
Trim Style  
Part # UL 3302

Standard interior trim  
Part # UL 3301 & 3302

**Additional Dimensions:** (Part # UL 3301 & 3302)

- Exterior Projection is 2 3/4"
- Interior Projection Depends on Handle Style
- Overall Grip thickness: 1 1/4"
- Clearance between door & grip is 2"
- Plates thickness: 1/2"

**Same dimensions for dummy function**



**Door Thickness Specifications**

**Standard Door Thickness: 1 3/4"**

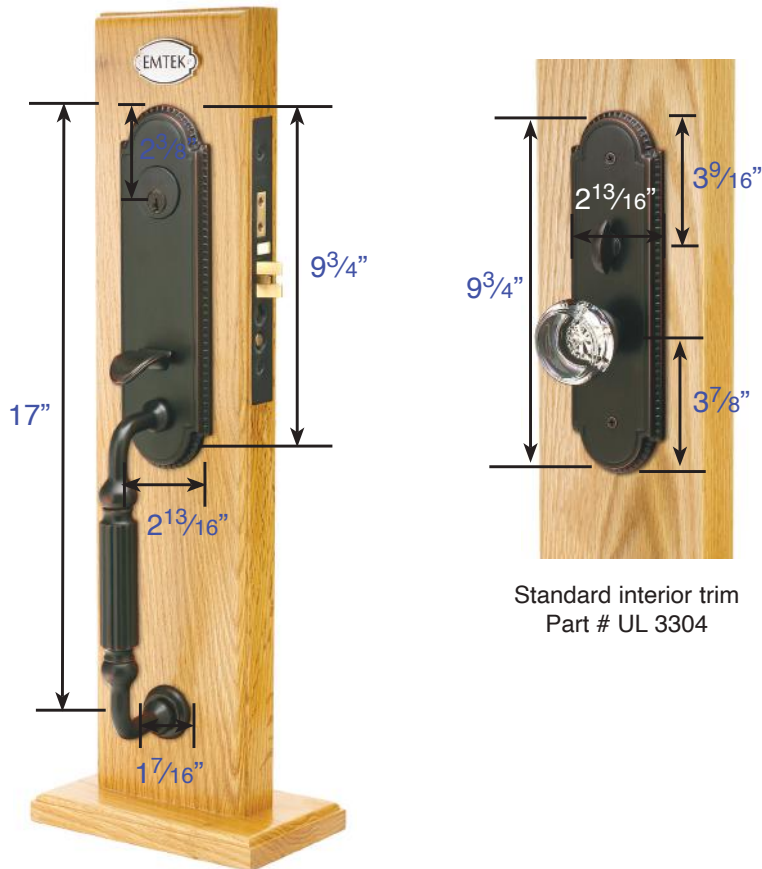
- Standard Components:
- 1 3/8" Threaded Cylinder
  - 2" Long Spindle
  - 2" Top Rosette Screw
  - 1 1/2" Bottom Rosette Screw
  - Thumbpress
  - Strikeplate

**Extended Door Thickness: 1 7/8" - 2 1/4"**

- Extended Components:
- 1 1/2" Threaded Cylinder
  - 2" Long Spindle
  - 2 1/2" Top Rosette Screw
  - 2" Bottom Rosette Screw
  - Thumbpress
  - Strikeplate

**Extended Door Thickness: 2 3/8" - 2 3/4"**

- Extended Components:
- 1 3/4" Threaded Cylinder
  - 2 1/4" Long Spindle
  - 2 1/2" Top Rosette Screw
  - 2" Bottom Rosette Screw
  - Extended Thumbpress
  - Extended Strikeplate



**Hamilton**  
Trim Style  
Part # UL 3304

**Additional Dimensions: (Part # UL 3304)**

- Exterior Projection is 2 7/8"
- Interior Projection Depends on Handle Style
- Overall Grip thickness: 1 1/4"
- Clearance between door & grip is 1 1/2"
- Plates thickness: 1/2"

**Same dimensions for dummy function**



**Door Thickness Specifications**

**Standard Door Thickness: 1 3/4"**

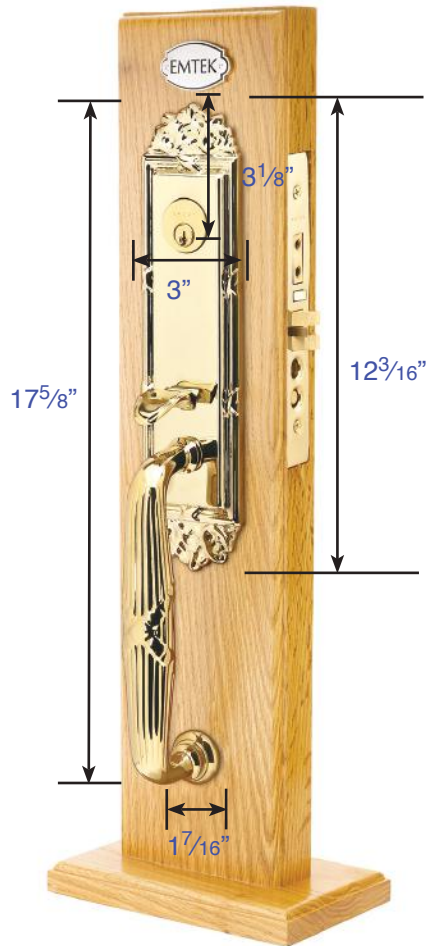
- Standard Components:
- 1 3/8" Threaded Cylinder
  - 2" Long Spindle
  - 2" Top Rosette Screw
  - 1 1/2" Bottom Rosette Screw
  - Thumbpress
  - Strikeplate

**Extended Door Thickness: 1 7/8" - 2 1/4"**

- Extended Components:
- 1 1/2" Threaded Cylinder
  - 2" Long Spindle
  - 2 1/2" Top Rosette Screw
  - 2" Bottom Rosette Screw
  - Thumbpress
  - Strikeplate

**Extended Door Thickness: 2 3/8" - 2 3/4"**

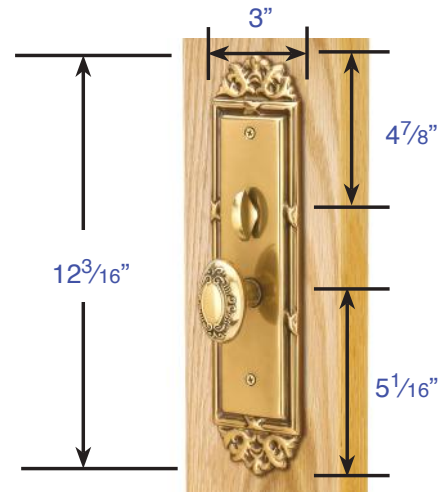
- Extended Components:
- 1 3/4" Threaded Cylinder
  - 2 1/4" Long Spindle
  - 2 1/2" Top Rosette Screw
  - 2" Bottom Rosette Screw
  - Extended Thumbpress
  - Extended Strikeplate



**Regency**  
 Trim Style  
 Part # UL 3307



**Versailles**  
 Trim Style  
 Part # UL 3309



Standard interior trim  
 Part # UL 3307 & 3309

**Additional Dimensions: (Part # UL 3307 & 3309)**

- Exterior Projection is 2 3/4"
- Interior Projection Depends on Handle Style
- Overall Grip thickness: 1 3/8"
- Clearance between door & grip is 1 1/16"
- Plates thickness: 1/2"

**Same dimensions for dummy function**



**Door Thickness Specifications**

**Standard Door Thickness: 1 3/4"**

- Standard Components:
- 1 3/8" Threaded Cylinder
  - 2" Long Spindle
  - 2" Top Rosette Screw
  - 1 1/2" Bottom Rosette Screw
  - Thumbpress
  - Strikeplate

**Extended Door Thickness: 1 7/8" - 2 1/4"**

- Extended Components:
- 1 1/2" Threaded Cylinder
  - 2" Long Spindle
  - 2 1/2" Top Rosette Screw
  - 2" Bottom Rosette Screw
  - Thumbpress
  - Strikeplate

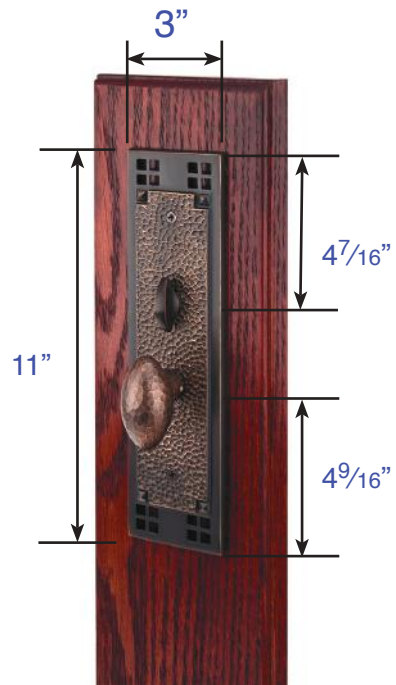
**Extended Door Thickness: 2 3/8" - 2 3/4"**

- Extended Components:
- 1 3/4" Threaded Cylinder
  - 2 1/4" Long Spindle
  - 2 1/2" Top Rosette Screw
  - 2" Bottom Rosette Screw
  - Extended Thumbpress
  - Extended Strikeplate



**Craftsman**  
Trim Style  
Part # UL 3308

**Craftsman Full Length**  
Trim Style  
Part # UL 3349



Standard Interior Trim  
Part # UL 3308 & 3349

**Additional Dimensions: (Part # UL 3308 & 3349)**

- Exterior Projection is 2 5/8"
- Interior Projection Depends on Handle Style
- Overall Grip thickness: 1 1/8"
- Clearance between door & grip is 1 3/8"
- Plates thickness: 1/2"

**Same dimensions for dummy function**



**Door Thickness Specifications**

**Standard Door Thickness: 1 3/4"**

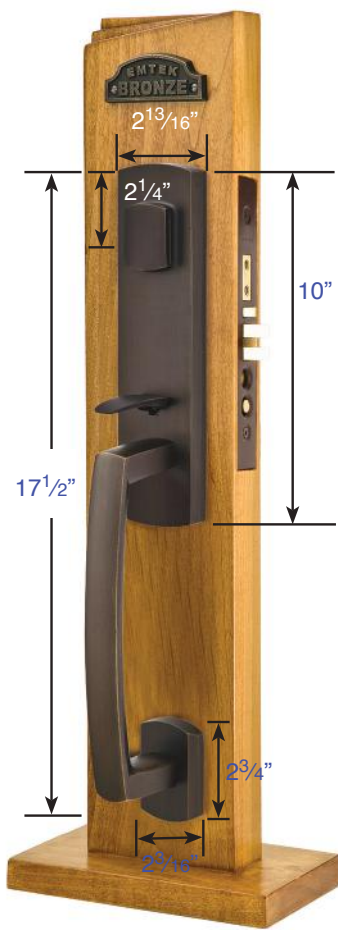
- Standard Components:
- 1 3/8" Threaded Cylinder
  - 2" Long Spindle
  - 2" Top Rosette Screw
  - 1 1/2" Bottom Rosette Screw
  - Thumbpress
  - Strikeplate

**Extended Door Thickness: 1 7/8" - 2 1/4"**

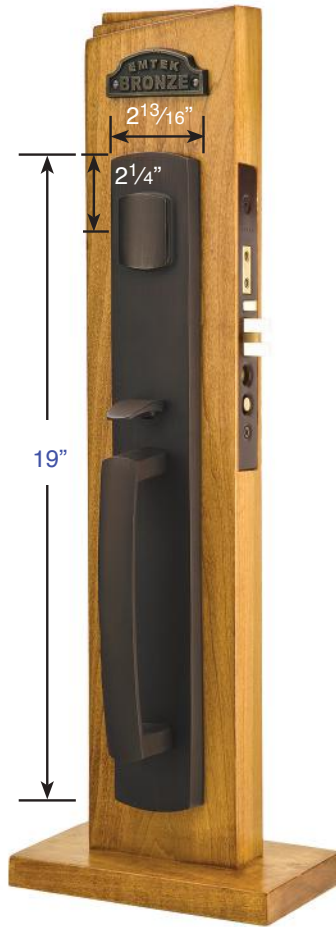
- Extended Components:
- 1 1/2" Threaded Cylinder
  - 2" Long Spindle
  - 2 1/2" Top Rosette Screw
  - 2" Bottom Rosette Screw
  - Thumbpress
  - Strikeplate

**Extended Door Thickness: 2 3/8" - 2 3/4"**

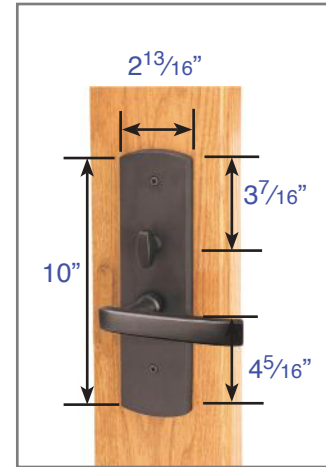
- Extended Components:
- 1 3/4" Threaded Cylinder
  - 2 1/4" Long Spindle
  - 2 1/2" Top Rosette Screw
  - 2" Bottom Rosette Screw
  - Extended Thumbpress
  - Extended Strikeplate



**Sonoma**  
Trim Style  
Part # UL 3329



**Longmont**  
Trim Style  
Part # UL 3330



Standard Interior Trim  
Part # UL 3329 & 3330

**Additional Dimensions: (Part # UL 3329 & 3330)**

- Exterior Projection is 3 1/8"
- Interior Projection Depends on Handle Style
- Overall Grip thickness: 1 3/4"
- Clearance between door & grip is 1 3/4"
- Plates thickness: 1/2"

**Same dimensions for dummy function**



**Door Thickness Specifications**

**Standard Door Thickness: 1 3/4"**

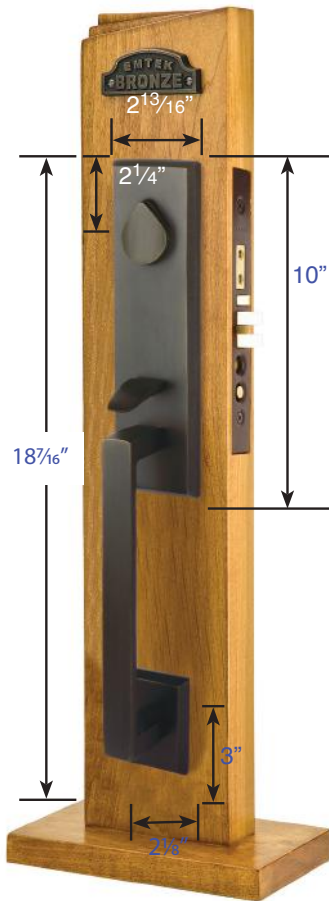
- Standard Components:
- 1 3/8" Threaded Cylinder
  - 2" Long Spindle
  - 2" Top Rosette Screw
  - 1 1/2" Bottom Rosette Screw
  - Thumbpress
  - Strikeplate

**Extended Door Thickness: 1 7/8" - 2 1/4"**

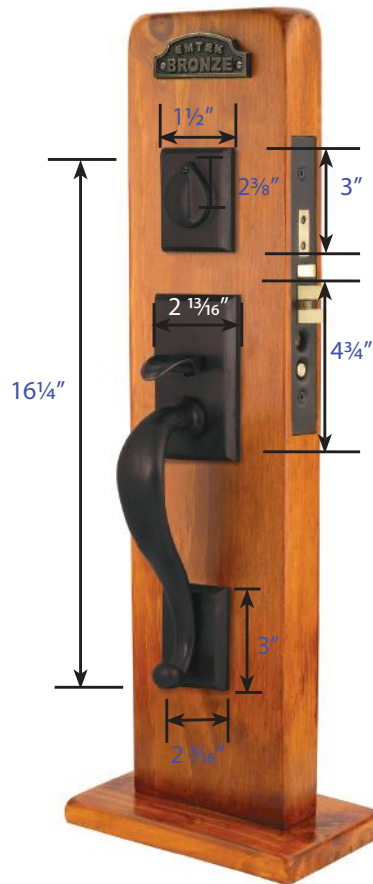
- Extended Components:
- 1 1/2" Threaded Cylinder
  - 2" Long Spindle
  - 2 1/2" Top Rosette Screw
  - 2" Bottom Rosette Screw
  - Thumbpress
  - Strikeplate

**Extended Door Thickness: 2 3/8" - 2 5/8"**

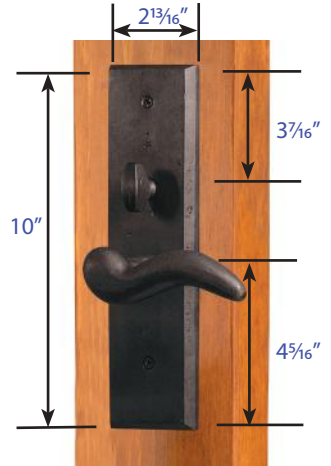
- Extended Components:
- 1 3/4" Threaded Cylinder
  - 2 1/4" Long Spindle
  - 2 1/2" Top Rosette Screw
  - 2" Bottom Rosette Screw
  - Extended Thumbpress
  - Extended Strikeplate
  - **2 3/4" TD Requires 2" Threaded Cylinder**



**Rustic Modern Rectangular**  
Trim Style  
Part # UL 3340



**Rectangular Sectional**  
Trim Style  
Part # UL 3324



Standard interior trim  
Part # UL 3324 & 3340

**Additional Dimensions: (Part # UL 3340 & 3324)**

- Exterior Projection is 3 1/8"
- Interior Projection Depends on Handle Style
- Overall Grip thickness: 1 3/4"
- Clearance between door & grip is 1 3/4"
- Plates thickness: 1/2"

**Same dimensions for dummy function**



**Door Thickness Specifications**

**Standard Door Thickness: 1 3/4"**

Standard Components:

- 1 1/2" Threaded Cylinder
- 2" Long Spindle
- 2" Top Rosette Screw
- 1 1/2" Bottom Rosette Screw
- Thumbpress
- Strikeplate

**Extended Door Thickness: 1 7/8" - 2 1/4"**

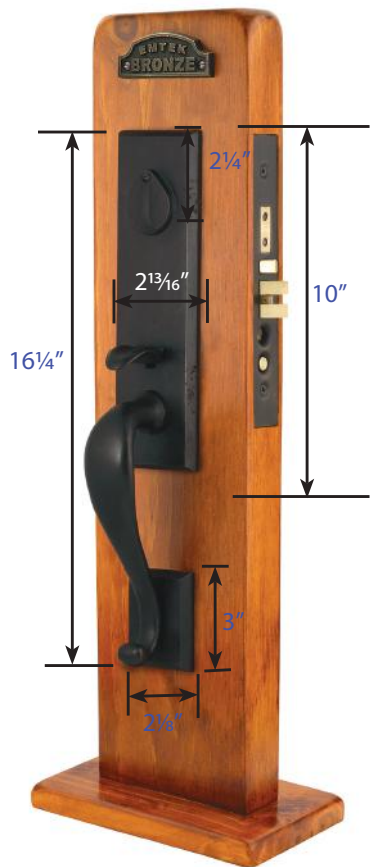
Extended Components:

- 1 1/2" Threaded Cylinder
- 2" Long Spindle
- 2 1/2" Top Rosette Screw
- 2" Bottom Rosette Screw
- Thumbpress
- Strikeplate

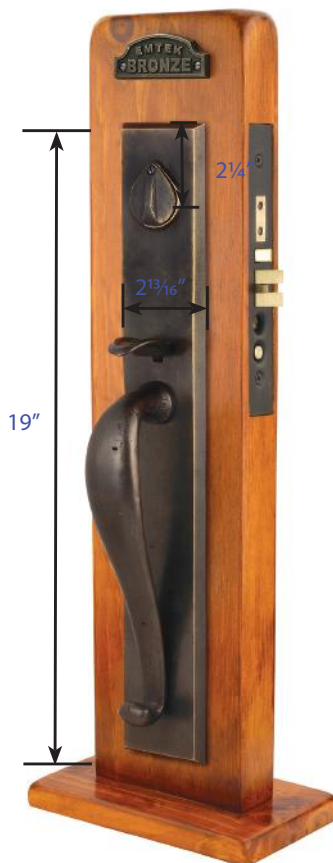
**Extended Door Thickness: 2 3/8" - 2 5/8"**

Extended Components:

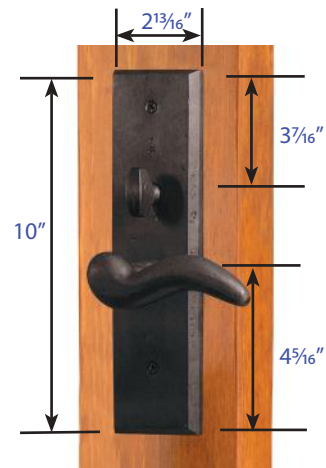
- 1 3/4" Threaded Cylinder
- 2 1/4" Long Spindle
- 2 1/2" Top Rosette Screw
- 2" Bottom Rosette Screw
- Extended Thumbpress
- Extended Strikeplate
- **2 3/4" TD Requires 2" Threaded Cylinder**



**Rectangular Monolithic**  
Trim Style  
Part # UL 3325



**Rectangular Full Length**  
Trim Style  
Part # UL 3326



Standard interior trim  
Part # UL 3325 & 3326

**Additional Dimensions: (Part # UL 3325 & 3326)**

- Exterior Projection is 3 1/8"
- Interior Projection Depends on Handle Style
- Overall Grip thickness: 1 3/4"
- Clearance between door & grip is 1 3/4"
- Plates thickness: 1/2"

**Same dimensions for dummy function**



**Door Thickness Specifications**

**Standard Door Thickness: 1 3/4"**

Standard Components:

- 1 3/8" Threaded Cylinder
- 2" Long Spindle
- 2" Top Rosette Screw
- 1 1/2" Bottom Rosette Screw
- Thumbpress
- Strikeplate

**Extended Door Thickness: 1 7/8" - 2 1/4"**

Extended Components:

- 1 1/2" Threaded Cylinder
- 2" Long Spindle
- 2 1/2" Top Rosette Screw
- 2" Bottom Rosette Screw
- Thumbpress
- Strikeplate

**Extended Door Thickness: 2 3/8" - 2 5/8"**

Extended Components:

- 1 3/4" Threaded Cylinder
- 2 1/4" Long Spindle
- 2 1/2" Top Rosette Screw
- 2" Bottom Rosette Screw
- Extended Thumbpress
- Extended Strikeplate
- **2 3/4" TD Requires 2" Threaded Cylinder**



Standard interior trim  
Part # UL 3323

**Denver**  
Trim Style  
Part # UL 3323

Additional Dimensions: (Part # UL 3323)

- Exterior Projection is 3"
- Interior Projection Depends on Handle Style
- Overall Grip thickness: 1"
- Clearance between door & grip is 1 1/2"
- Plates thickness: 1/2"

**Same dimensions for dummy function**



Door Thickness Specifications		
<p><b>Standard Door Thickness: 1 3/4"</b></p> <p>Standard Components:</p> <ul style="list-style-type: none"> <li>• 1 3/8" Threaded Cylinder</li> <li>• 2" Long Spindle</li> <li>• 2" Top Rosette Screw</li> <li>• 1 1/2" Bottom Rosette Screw</li> <li>• Thumbpress</li> <li>• Strikeplate</li> </ul>	<p><b>Extended Door Thickness: 1 7/8" - 2 1/4"</b></p> <p>Extended Components:</p> <ul style="list-style-type: none"> <li>• 1 1/2" Threaded Cylinder</li> <li>• 2" Long Spindle</li> <li>• 2 1/2" Top Rosette Screw</li> <li>• 2" Bottom Rosette Screw</li> <li>• Thumbpress</li> <li>• Strikeplate</li> </ul>	<p><b>Extended Door Thickness: 2 3/8" - 2 5/8"</b></p> <p>Extended Components:</p> <ul style="list-style-type: none"> <li>• 1 3/4" Threaded Cylinder</li> <li>• 2 1/4" Long Spindle</li> <li>• 2 1/2" Top Rosette Screw</li> <li>• 2" Bottom Rosette Screw</li> <li>• Extended Thumbpress</li> <li>• Extended Strikeplate</li> <li>• <b>2 3/4" TD Requires 2" Threaded Cylinder</b></li> </ul>





**Cheyenne**  
Trim Style  
Part # UL 3321

**Topeka**  
Trim Style  
Part # UL 3322

Standard interior trim  
Part # UL 3321 & 3322

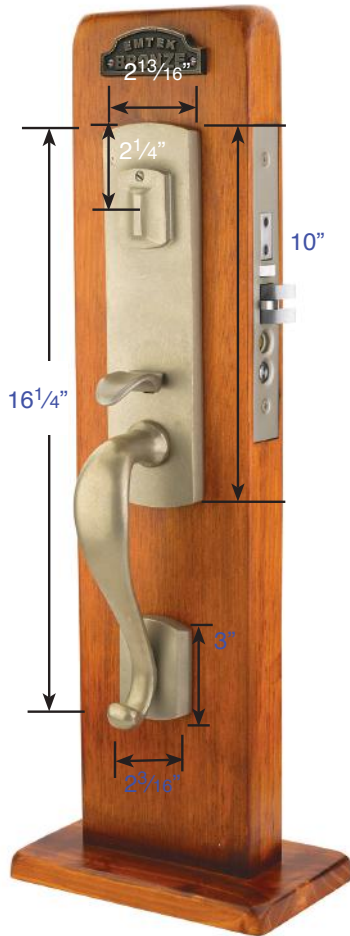
Additional Dimensions: (Part # UL 3321 & 3322)

- Exterior Projection is 3 1/8"
- Interior Projection Depends on Handle Style
- Overall Grip thickness: 1 3/4"
- Clearance between door & grip is 1 3/4"
- Plates thickness: 1/2"

**Same dimensions for dummy function**



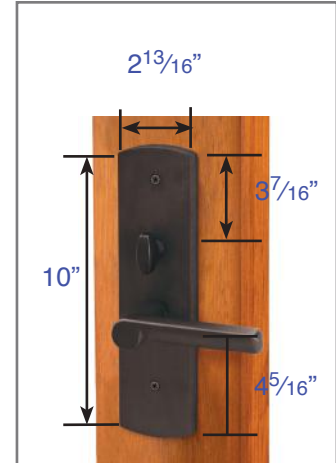
Door Thickness Specifications		
<p><b>Standard Door Thickness: 1 3/4"</b></p> <p>Standard Components:</p> <ul style="list-style-type: none"> <li>• 1-1/2" Threaded Cylinder</li> <li>• 2" Long Spindle</li> <li>• 2" Top Rosette Screw</li> <li>• 1 1/2" Bottom Rosette Screw</li> <li>• Thumbpress</li> <li>• Strikeplate</li> </ul>	<p><b>Extended Door Thickness: 1 7/8" - 2 1/4"</b></p> <p>Extended Components:</p> <ul style="list-style-type: none"> <li>• 1 1/2" Threaded Cylinder</li> <li>• 2" Long Spindle</li> <li>• 2 1/2" Top Rosette Screw</li> <li>• 2" Bottom Rosette Screw</li> <li>• Thumbpress</li> <li>• Strikeplate</li> </ul>	<p><b>Extended Door Thickness: 2 3/8" - 2 5/8"</b></p> <p>Extended Components:</p> <ul style="list-style-type: none"> <li>• 1 3/4" Threaded Cylinder</li> <li>• 2 1/4" Long Spindle</li> <li>• 2 1/2" Top Rosette Screw</li> <li>• 2" Bottom Rosette Screw</li> <li>• Extended Thumbpress</li> <li>• Extended Strikeplate</li> <li>• <b>2 3/4" TD Requires 2" Threaded Cylinder</b></li> </ul>



**Morgan**  
Trim Style  
Part # UL 3327



**Rockford**  
Trim Style  
Part # UL 3328  
**DISCONTINUED**



Standard interior trim  
Part # UL 3327 & 3328

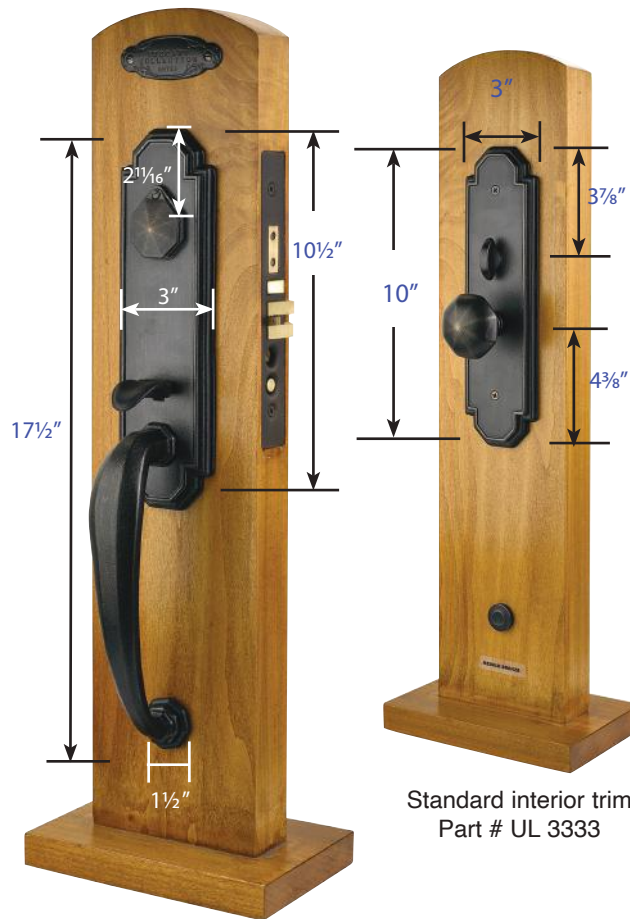
Additional Dimensions: (Part # UL 3327 & 3328)

- Exterior Projection is 3 1/8"
- Interior Projection Depends on Handle Style
- Overall Grip thickness: 1 3/4"
- Clearance between door & grip is 1 3/4"
- Plates thickness: 1/2"

**Same dimensions for dummy function**



Door Thickness Specifications		
<p><b>Standard Door Thickness: 1 3/4"</b></p> <p>Standard Components:</p> <ul style="list-style-type: none"> <li>• 1 3/8" Threaded Cylinder</li> <li>• 2" Long Spindle</li> <li>• 2" Top Rosette Screw</li> <li>• 1 1/2" Bottom Rosette Screw</li> <li>• Thumbpress</li> <li>• Strikeplate</li> </ul>	<p><b>Extended Door Thickness: 1 7/8" - 2 1/4"</b></p> <p>Extended Components:</p> <ul style="list-style-type: none"> <li>• 1 1/2" Threaded Cylinder</li> <li>• 2" Long Spindle</li> <li>• 2 1/2" Top Rosette Screw</li> <li>• 2" Bottom Rosette Screw</li> <li>• Thumbpress</li> <li>• Strikeplate</li> </ul>	<p><b>Extended Door Thickness: 2 3/8" - 2 5/8"</b></p> <p>Extended Components:</p> <ul style="list-style-type: none"> <li>• 1 3/4" Threaded Cylinder</li> <li>• 2 1/4" Long Spindle</li> <li>• 2 1/2" Top Rosette Screw</li> <li>• 2" Bottom Rosette Screw</li> <li>• Extended Thumbpress</li> <li>• Extended Strikeplate</li> <li>• <b>2 3/4" TD Requires 2" Threaded Cylinder</b></li> </ul>



**Octagon**  
Trim Style  
Part # UL 3333

**Additional Dimensions: (Part # UL 3333)**

- Exterior Projection is 3 1/16"
- Interior Projection Depends on Handle Style
- Overall Grip thickness: 2 1/16"
- Clearance between door & grip is 1 1/16"
- Plates thickness: 1/2"

**Same dimensions for dummy function**



**Door Thickness Specifications**

**Standard Door Thickness: 1 3/4"**

Standard Components:

- 1 1/2" Threaded Cylinder
- 2" Long Spindle
- 2" Top Rosette Screw
- 1 1/2" Bottom Rosette Screw
- Thumbpress
- Strikeplate

**Extended Door Thickness: 1 7/8" - 2 1/4"**

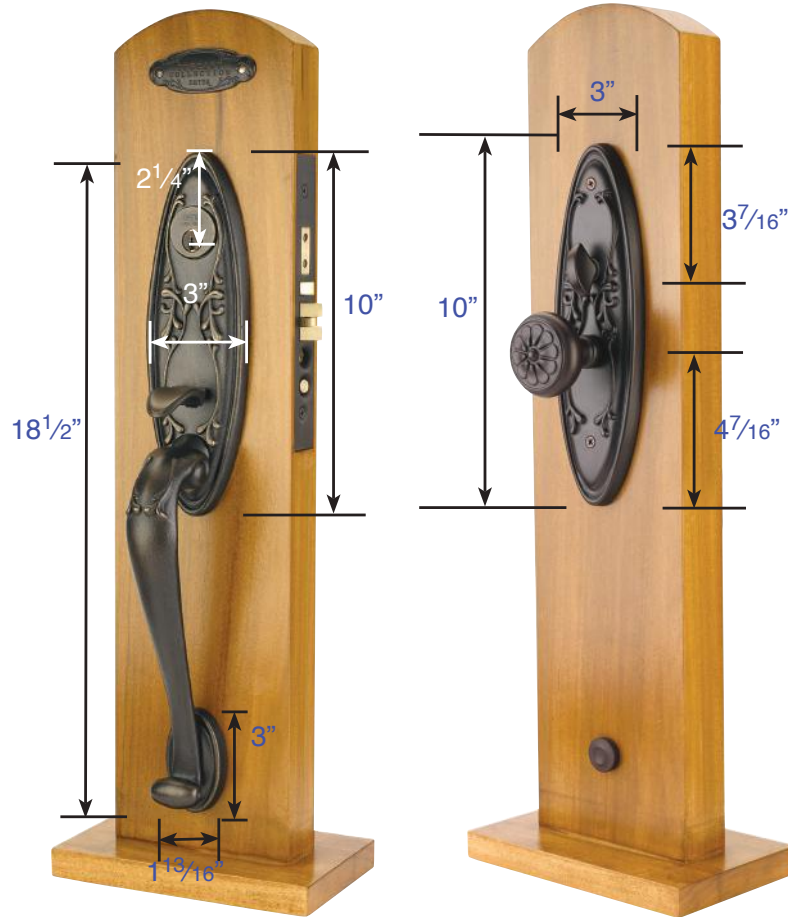
Extended Components:

- 1 1/2" Threaded Cylinder
- 2" Long Spindle
- 2 1/2" Top Rosette Screw
- 2" Bottom Rosette Screw
- Thumbpress
- Strikeplate

**Extended Door Thickness: 2 3/8" - 2 5/8"**

Extended Components:

- 1 3/4" Threaded Cylinder
- 2 1/4" Long Spindle
- 2 1/2" Top Rosette Screw
- 2" Bottom Rosette Screw
- Extended Thumbpress
- Extended Strikeplate
- **2 3/4" TD Requires 2" Threaded Cylinder**



**Da Vinci**  
Trim Style  
Part # UL 3331

Standard interior trim  
Part # UL 3331

**Additional Dimensions: (Part # UL 3331)**

- Exterior Projection is 3 9/32"
- Interior Projection Depends on Handle Style
- Overall Grip thickness: 1 1/16"
- Clearance between door & grip is 1 7/8"
- Plates thickness: 1 1/16"

**Same dimensions for dummy function**



**Door Thickness Specifications**

**Standard Door Thickness: 1 3/4"**

Standard Components:

- 1 3/8" Threaded Cylinder
- 2" Long Spindle
- 2" Top Rosette Screw
- 1 1/2" Bottom Rosette Screw
- Thumbpress
- Strikeplate

**Extended Door Thickness: 1 7/8" - 2 1/4"**

Extended Components:

- 1 1/2" Threaded Cylinder
- 2" Long Spindle
- 2 1/2" Top Rosette Screw
- 2" Bottom Rosette Screw
- Thumbpress
- Strikeplate

**Extended Door Thickness: 2 3/8" - 2 5/8"**

Extended Components:

- 1 3/4" Threaded Cylinder
- 2 1/4" Long Spindle
- 2 1/2" Top Rosette Screw
- 2" Bottom Rosette Screw
- Extended Thumbpress
- Extended Strikeplate
- **2 3/4" TD Requires 2" Threaded Cylinder**